

DRAWINGS AND SPECIFICATIONS ARE PROPERTY OF S.F. SCOTT MANUFACTURING. THIS DRAWING MAY NOT BE REPRODUCED IN WHOLE OR IN PART WITHOUT THE PRIOR WRITTEN CONSENT OF THE ENGINEERING DEPARTMENT

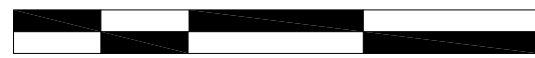
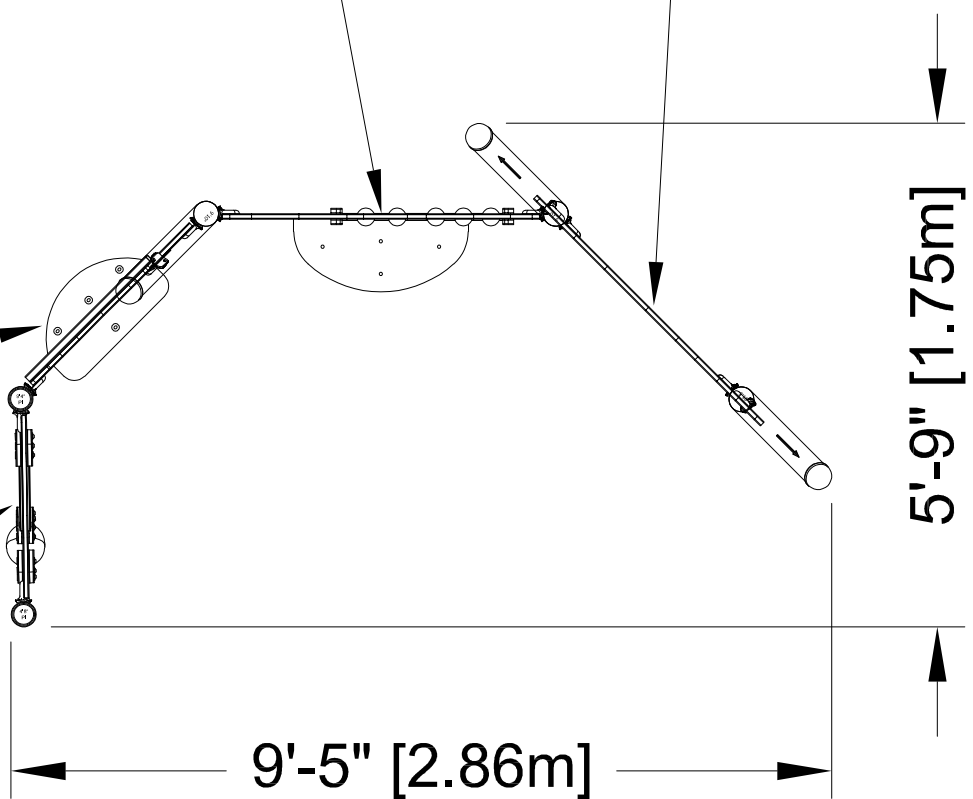


WACKY SHACK
ABACUS SEAT PANEL

WACKY SHACK
DOOR PANEL

WACKY SHACK
COUNTER WINDOW
W/ SEATS

WACKY SHACK
OPEN/CLOSED PANEL



2 1 0 2 4 FEET

- CONFORMS TO THE CAN/CSA-Z614-20 STANDARD "CHILDREN'S PLAYGROUND EQUIPMENT AND SURFACING"

LAYOUT #: 111181
JOB #:

RECOMMENDED AGES: 2-12

PROTECTIVE SURFACING REQUIRED:
AREA: (sq.ft) PERIMETER: (ft)

DRAWN BY: AV DATE: 29-OCT-21



724 - 14TH STREET S.W., MEDICINE HAT, AB. T1A 4V7
TOLL FREE: 1-800-661-1462 FAX: (403) 529-0851
E-MAIL: sales@blueimp.com WEBSITE: www.blueimp.com