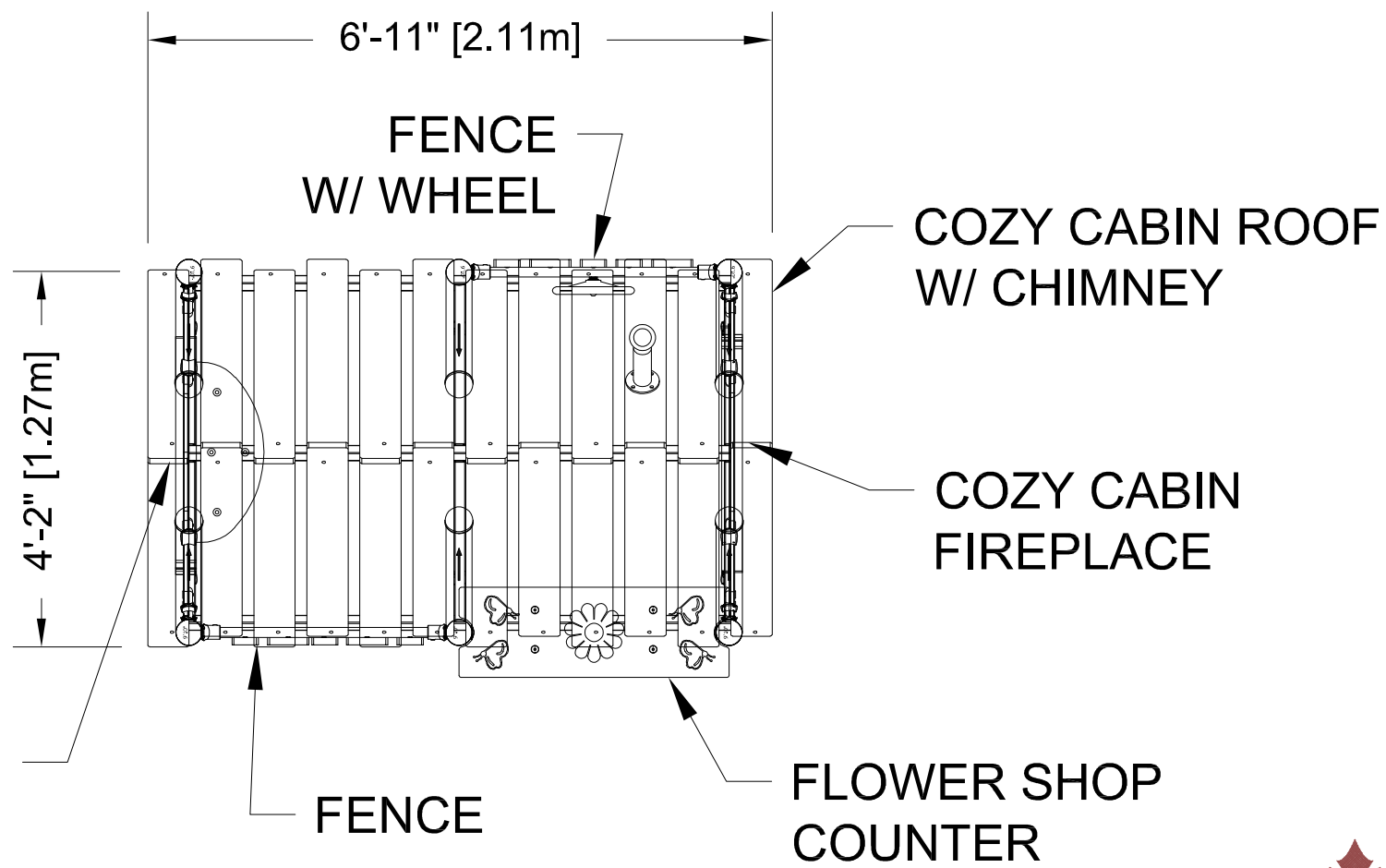




DRAWINGS AND SPECIFICATIONS ARE PROPERTY OF S.F. SCOTT MANUFACTURING. THIS DRAWING MAY NOT BE REPRODUCED IN WHOLE OR IN PART WITHOUT THE PRIOR WRITTEN CONSENT OF THE ENGINEERING DEPARTMENT



<ul style="list-style-type: none"> CONFORMS TO THE CAN/CSA-Z614-20 STANDARD "CHILDREN'S PLAYGROUND EQUIPMENT AND SURFACING" 	LAYOUT #: U01894 JOB #:
	RECOMMENDED AGES: 2-12 PROTECTIVE SURFACING REQUIRED: AREA: N/A (sq.ft) PERIMETER: N/A (ft)
DRAWN BY: LB	DATE: 09-JAN-14

Blue Imp™
PLAY STRONG

724 - 14TH STREET S.W., MEDICINE HAT, AB. T1A 4V7
TOLL FREE: 1-800-661-1462 FAX: (403) 529-0851
E-MAIL: sales@blueimp.com WEBSITE: www.blueimp.com