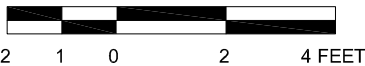
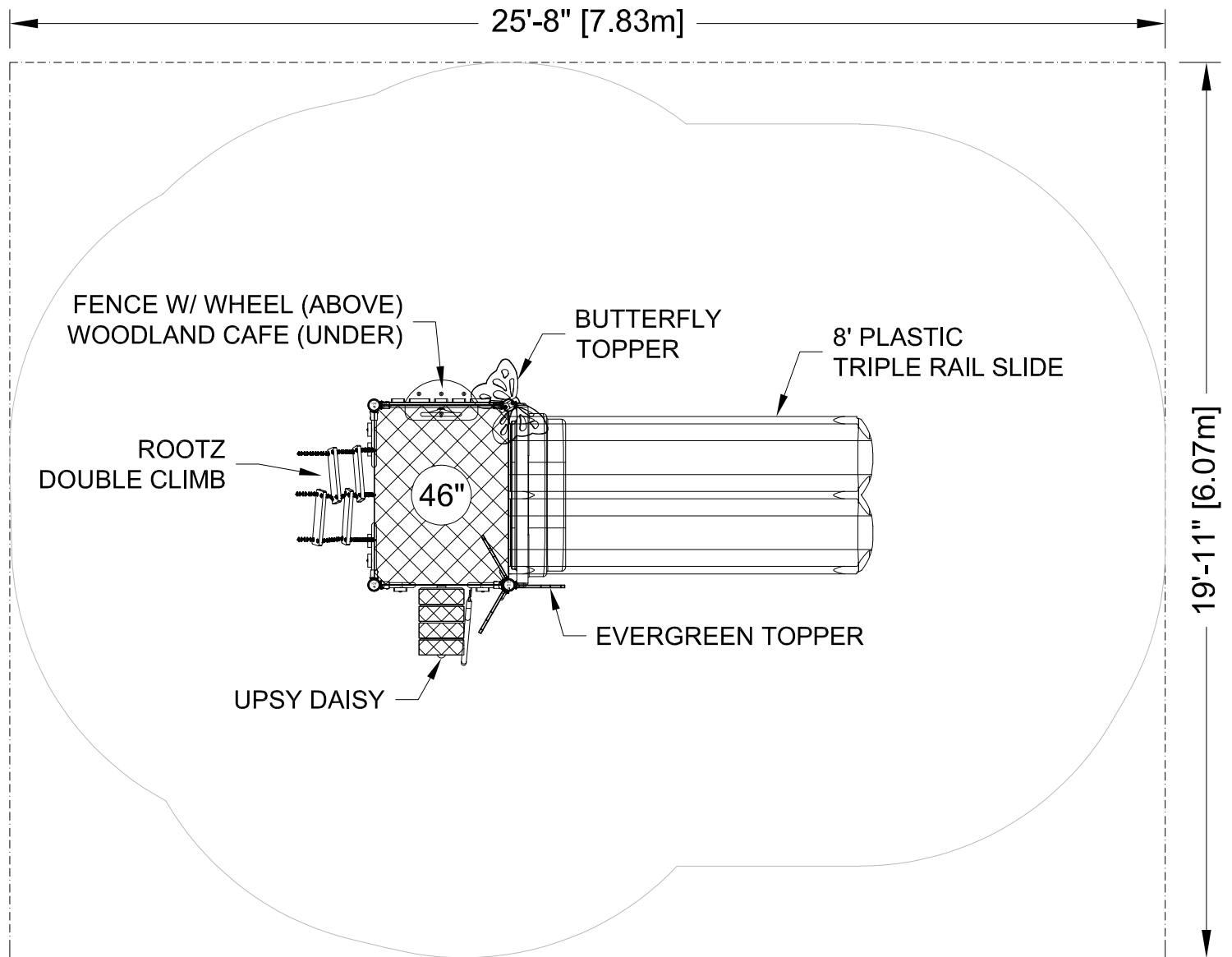


DRAWINGS AND SPECIFICATIONS ARE PROPERTY OF S.F. SCOTT MANUFACTURING. THIS DRAWING MAY NOT BE REPRODUCED IN WHOLE OR IN PART WITHOUT THE PRIOR WRITTEN CONSENT OF THE ENGINEERING DEPARTMENT



BLUE IMP RECOMMENDS THAT SLIDES BE INSTALLED WITH SLIDE BEDS FACING BETWEEN NORTH AND EAST

- CONFORMS TO THE CAN/CSA-Z614-20 STANDARD "CHILDREN'S PLAYGROUND EQUIPMENT AND SURFACING"
- PERIMETER SHOWN REPRESENTS EXTENT OF REQUIRED SAFETY SURFACING. WIDTH OF BORDER MATERIAL MUST BE ADDED BEFORE EXCAVATION.

LAYOUT #: 111026-1  
 JOB #:  
 RECOMMENDED AGES: 2-5  
 PROTECTIVE SURFACING REQUIRED:  
 AREA: 512 (sq.ft) PERIMETER: 92 (ft)  
 DRAWN BY: TD DATE: 02-SEP-21

1	ENTRY FENCES TO HALF FENCES.	AS	12-JUL-23
---	------------------------------	----	-----------

724 - 14TH STREET S.W., MEDICINE HAT, AB. T1A 4V7  
 TOLL FREE: 1-800-661-1462 FAX: (403) 529-0851  
 E-MAIL: sales@blueimp.com WEBSITE: www.blueimp.com