

DRAWINGS AND SPECIFICATIONS ARE PROPERTY OF S.F. SCOTT MANUFACTURING. THIS DRAWING MAY NOT BE REPRODUCED IN WHOLE OR IN PART WITHOUT THE PRIOR WRITTEN CONSENT OF THE ENGINEERING DEPARTMENT

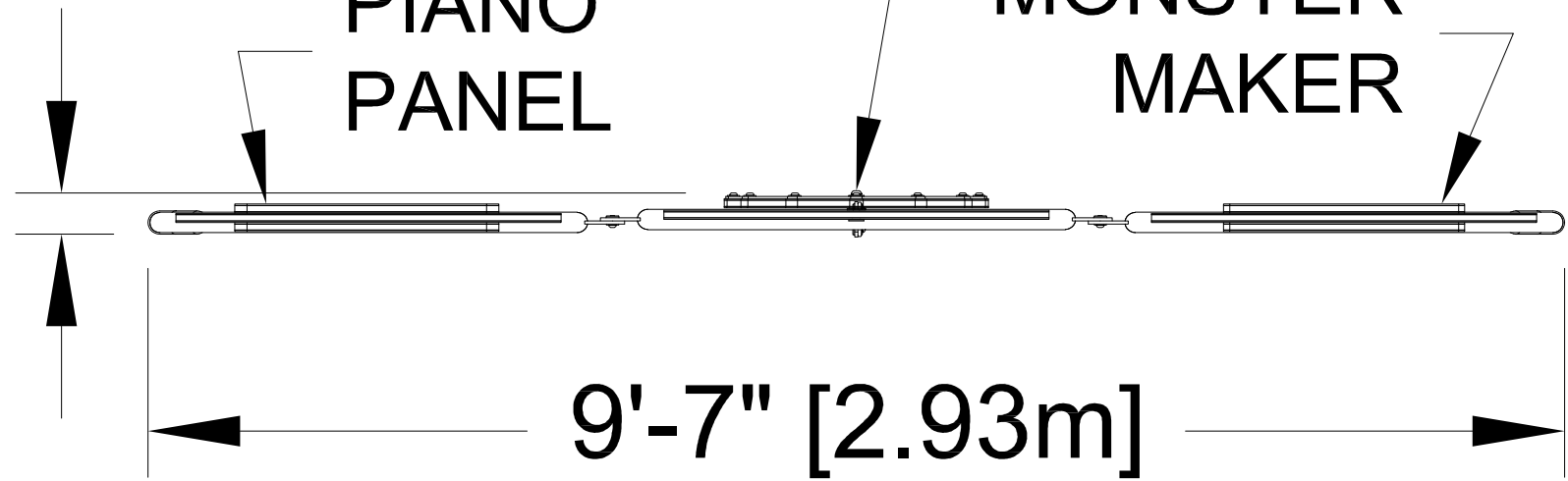


0'-3" [0.09m]

MARBLE MAZE

PIANO PANEL

MONSTER MAKER



9'-7" [2.93m]



2 1 0 2 4 FEET

- CONFORMS TO THE CAN/CSA-Z614-20 STANDARD "CHILDREN'S PLAYGROUND EQUIPMENT AND SURFACING"
- CONFORMS TO ANNEX 'H' OF THE CAN/CSA-Z614-20 STANDARD "CHILDREN'S PLAYGROUND EQUIPMENT AND SURFACING" (SUBJECT TO THE PRESENCE OF ACCESSIBLE SURFACING)

PLAY-O TRIO (C18-21)

LAYOUT #: CN-1006  
JOB #:

RECOMMENDED AGES: 2-12

PROTECTIVE SURFACING REQUIRED:  
AREA: NA (sq.ft) PERIMETER: NA (ft)

DRAWN BY: SM DATE: 14-FEB-20

1 UPDATED DESIGN OF FRAME AS 06-NOV-23



724 - 14TH STREET S.W., MEDICINE HAT, AB. T1A 4V7  
TOLL FREE: 1-800-661-1462 FAX: (403) 529-0851  
E-MAIL: sales@blueimp.com WEBSITE: www.blueimp.com