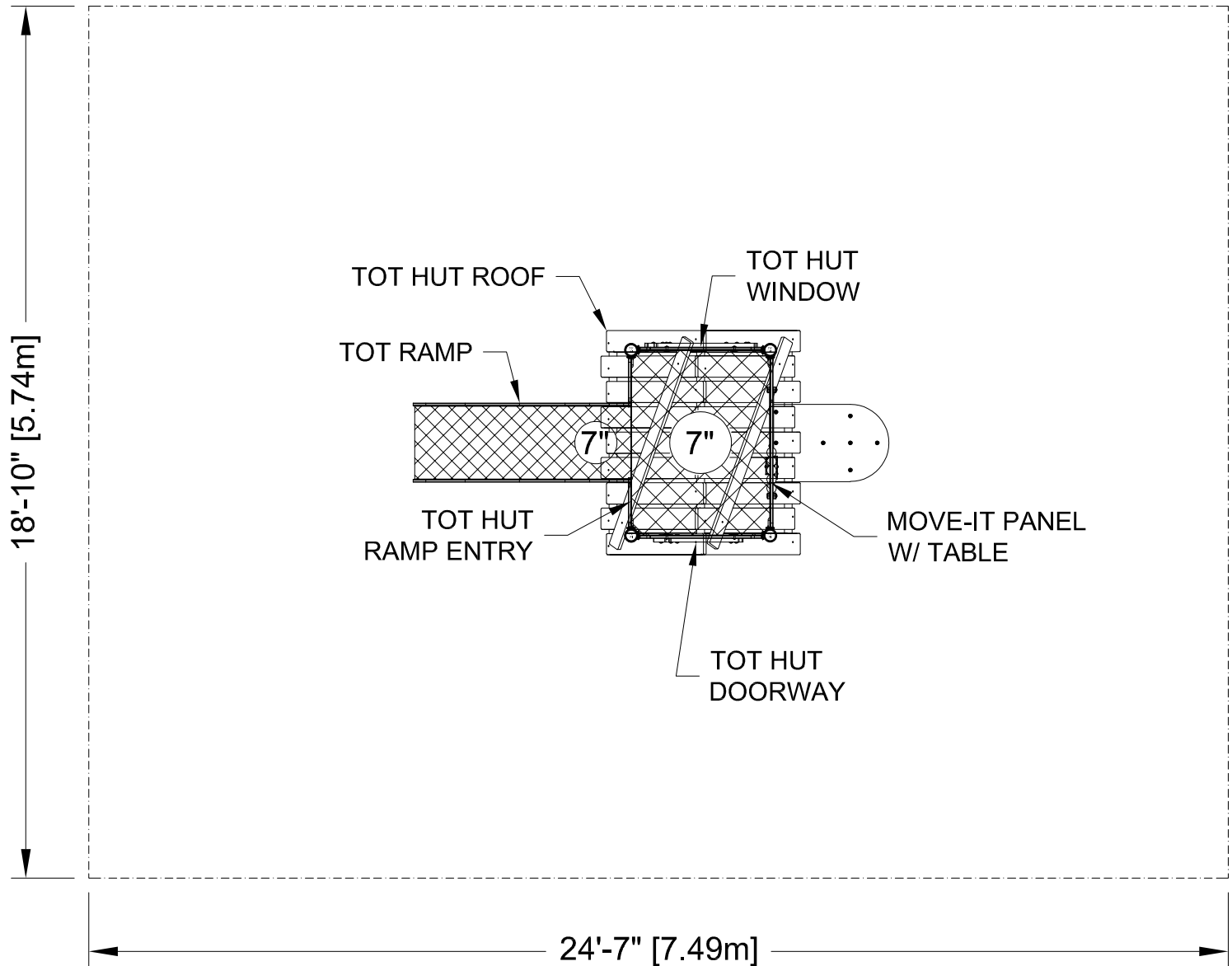


DRAWINGS AND SPECIFICATIONS ARE PROPERTY OF S.F. SCOTT MANUFACTURING. THIS DRAWING MAY NOT BE REPRODUCED IN WHOLE OR IN PART WITHOUT THE PRIOR WRITTEN CONSENT OF THE ENGINEERING DEPARTMENT



2 1 0 2 4 FEET

- CONFORMS TO THE ASTM F2373-11 (2017) STANDARD "PUBLIC USE PLAY EQUIPMENT FOR CHILDREN 6 MONTHS THROUGH 23 MONTHS"
- PERIMETER SHOWN REPRESENTS EXTENT OF REQUIRED SAFETY SURFACING. WIDTH OF BORDER MATERIAL MUST BE ADDED BEFORE EXCAVATION.

LAYOUT #: 106220  
 JOB #:  
 RECOMMENDED AGES: 6-23mo.  
 PROTECTIVE SURFACING REQUIRED:  
 AREA: 463 (sq.ft) PERIMETER: 87 (ft)  
 DRAWN BY: EH DATE: 11-DEC-17

724 - 14TH STREET S.W., MEDICINE HAT, AB. T1A 4V7  
 TOLL FREE: 1-800-661-1462 FAX: (403) 529-0851  
 E-MAIL: sales@blueimp.com WEBSITE: www.blueimp.com